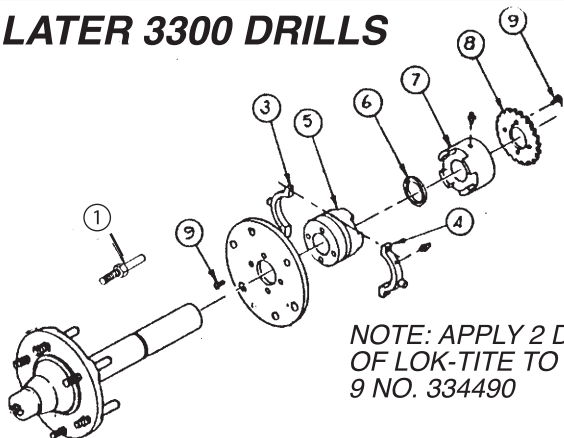


All Prices are subject to change without notification!

Description Price Item #

2" SPINDLE - SILVER BOX DRILL

LATER 3300 DRILLS

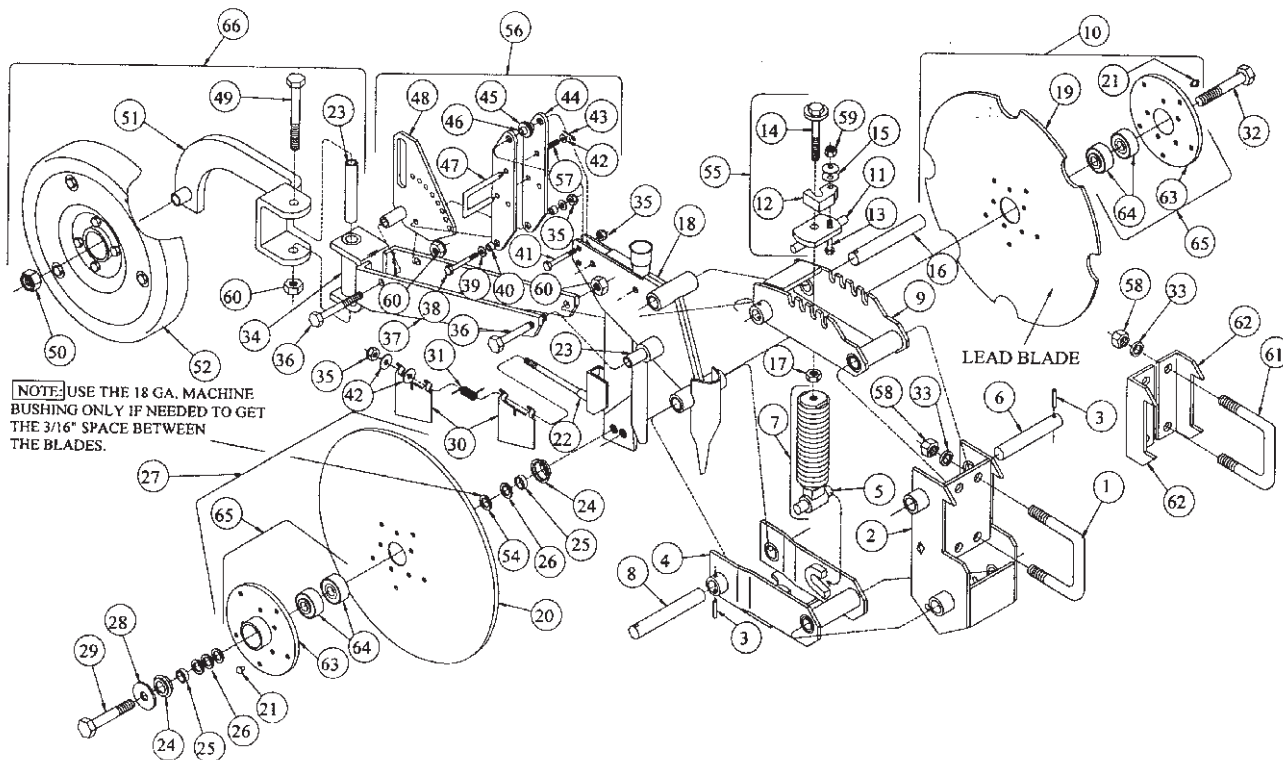


NOTE: APPLY 2 DROPS
OF LOK-TITE TO
9 NO. 334490

1	Clutch Guide Wheel Lug	CALL	334607
3	Collar Half w/o Zerk	800-281-2164	550582
4	Collar Half w/Zerk	FOR CURRENT	550590
5	Clutch Half w/Groove	PRICING	550681
6	2" Retaining Ring	ON THESE	601765
7	Clutch Half w/Zerk	PARTS	550673
8	Drive Sprocket 2050		430850
9	1/4" & 75/8" Counter Sunk Machine Screw Gr. 8		334490

ALL PLANT OPENER ASSEMBLY

5	Pin	CALL	308593
6	Pin	800-281-2164	306977
7	Spring	FOR CURRENT	842906
8	Pin	PRICING	306944
10	Disc Assy	ON THESE	845925
16	Pin	PARTS	307058
23	Bushing		148999
24	Seal		400747
27	Disc assy		845917
30	Scraper		257048
31	LH Spring		502146
	RH Spring		502153
64	Bearing		401042
55	Adjustment		858506




NOTE: USE THE 18 GA. MACHINE
BUSHING ONLY IF NEEDED TO GET
THE 3/16" SPACE BETWEEN
THE BLADES.

CrustBuster


Drills

All Prices are subject to change without notification!

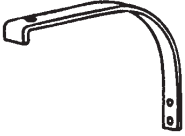
Description	Price	Item #
HOE DRILL		
Red Box Clear plastic seed tube Points - Regular Hard surfaced	CALL 800-281-2164 FOR CURRENT PRICING ON THESE PARTS	570002 500140 500371




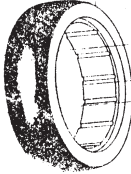


SPRINGTOOTH		
Shanks - Front Rows 3rd Row	CALL 800-281-2164 FOR CURRENT PRICING ON THESE PARTS	500090 500025
Points -		BT-14






FIELD CULTIVATORS		
Shank	CALL 800-281-2164 FOR CURRENT PRICING ON THESE PARTS	500637



PRESS WHEEL AREA		
2 pc. Steel Press Wheel - Red Box	CALL 800-281-2164 FOR CURRENT PRICING ON THESE PARTS	901678
1 pc. Rubber 2"x13" Press Wheel		530428
Press Wheel Brg		401042
Hanger Brg. Assy. - Red Box		400085
Drive Sprocket - Red Box		430082

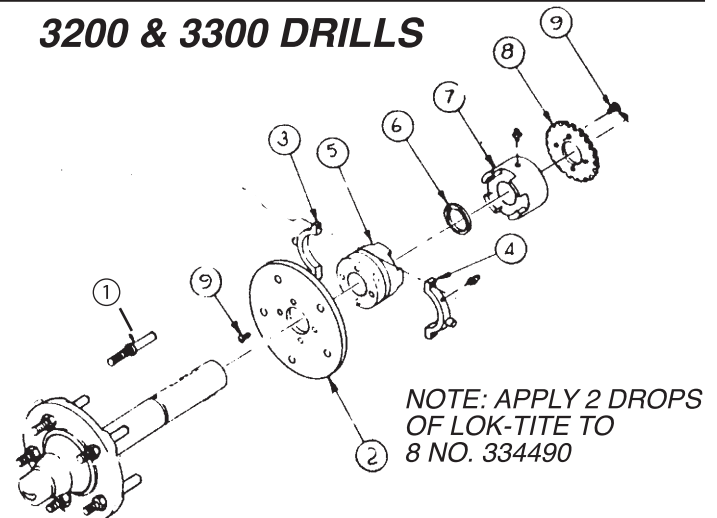





Description	Price	Item #
DISCS		
Gang Brgs-Brg only Brg & cast HSG. Import Brg	CALL 800-281-2164 FOR CURRENT PRICING ON THESE PARTS	400101 400127 A400101
Spools- Full spools - 9" Short half cap - 8" & 9" Long half - 8" 9" & 10 1/2"		550079 550046 550038 550020

DOUBLE DISC DRILL OPENERS		
LH & RH Disc 13 1/2" Disc Assy with large 205 bearing Hardware Needed is Extra	CALL 800-281-2164 FOR CURRENT PRICING ON THESE PARTS	107-1355
Get 10% on a set		

1 5/8" SPINDLE - SILVER BOX DRILL 3200 & 3300 DRILLS



NOTE: APPLY 2 DROPS
OF LOK-TITE TO
8 NO. 334490

1	Clutch Guide Wheel Lug	CALL 800-281-2164 FOR CURRENT PRICING ON THESE PARTS	334359
2	Drive Plate		187104
3	Collar Half w/o Zerk		550582
4	Collar Half w/Zerk		550590
5	Clutch Half w/Groove		550566
6	1 5/8" Retaining Ring		601708
7	Clutch Half w/Zerk		550558
8	Drive Sprocket 2040		430728
9	1/4" & 7/8" Counter Sunk Machine Screw Gr. 8		334490

All Prices are subject to change without notification!

Description	Price	Item #
SEED TUBES		
4000 AP Top Bell	18"	571018
	19"	571208
Clear Tube	14.5"	570945
Bottom Hose	4.5"	570960
		CALL 800-281-2164 FOR CURRENT PRICING ON THESE PARTS
4000 MT Top Bell	21"	571000
	19.75"	571125
Bottom Hose	4.5"	570960
	6.5"	571190
4700 AP Top Bell	20"	571331
	21"	571000
Clear Tube	16"	571323
Bottom Hose	4.5"	570960
4700 MT Top Bell	21"	571000
Clear Tube	19.75"	571125
Bottom Hose	4.5"	570960
	6.5"	571190

